

35 SERIES CAMERAS MOUNTS AND ACCESSORIES

Honeywell's 35 Series mounts and accessories provide a wide range of installation options for the Honeywell 35 Series IP cameras, including junction boxes and a variety of brackets for in-ceiling, wall, pole, and corner mounting.

All of the mounts and accessories offer excellent value at an attractive price with simple, clean lines, rugged construction and options suitable for indoor or outdoor mounting use.

The mounts provide easy cable routing with no exposed wiring, and the cameras can be installed, adjusted, and tested without repositioning the housing.

The junction box, pole mount adapter, wall mount bracket, and corner mount adapter are constructed of die-casting aluminum. The in-ceiling mount bracket is made of SECC steel. The pole mount bracket, corner mount bracket is made of SPCC steel.



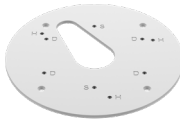
HA35PMC02
MFZ Camera Cap



HA35PMC03
Fixed Camera Cap



HA35JCBHBA
Bullet Junction Box



HA354SC01
4S Box Cover



HA35JCBHA1G
All-in-one Box



HA35JCBHA1
All-in-one Box



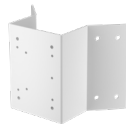
HA60JCBH1
Junction Box



HA35CLM02
Ceiling Mount Extension



HA35JCBHDF
Fixed Dome Junction Box



HA60CNMZ
Corner Mount Adapter



HA35CLM01
Ceiling Mount Base with Adapter



HA35JCBHDV
MFZ Dome Junction Box



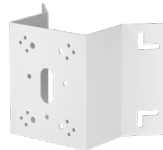
HA35JCBWML
Wall Mount Bracket



HA60WLMB1
Wall Mount Bracket



HA35ICK
Dome In-Ceiling Mount Bracket



HA60CNMZI
Corner Mount Bracket



HA60WLMZI
Wall Mount Bracket



HA60PLMZI
Pole Mount Bracket



HA60CLM01
Pendant Mount Base



HA60CLM02
Pendant Extension Pipe



HA60PLMZB
Pole Mount Bracket

























MOUNTS AND ACCESSORIES

COMPATIBLE 35 SERIES CAMERAS





MODEL	HC35W43R3 HC35W45R3 HC35W48R3	HC35W43R2 HC35W45R2 HC35W48R2	HC35WB3R3 HC35WB5R3 HC35WB8R3	HC35WB3R2 HC35WB5R2 HC35WB8R2	HC35WE3R3 HC35WE5R3 HC35WE8R3	HC35WE3R2 HC35WE5R2 HC35WE8R2	HC35WZ2R25 HC35WZ5R30	HC35W25R3	HC35WE5R2G
HA35JCBHDV									
HA35JCBHDF									
HA35JCBHA1									
HA35JCBHA1G									✓
HA35JCBHBA									
HA60JCBH1									
HA60CNMZ		+HA60JCBH1 or +HA35PMC03 HA60WLMB1 	+HA60JCBH1 or +HA35PMC02 HA60WLMB1 	+HA60JCBH1 	+HA60JCBH1 or +HA35PMC03 HA60WLMB1 	+HA60JCBH1 or +HA35PMC02 HA60WLMB1 		+HA60JCBH1 	
HA60PLMZB		+HA60JCBH1 or +HA35PMC03 HA60WLMB1 	+HA60JCBH1 or +HA35PMC02 HA60WLMB1 	+HA60JCBH1 	+HA60JCBH1 or +HA35PMC03 HA60WLMB1 	+HA60JCBH1 or +HA35PMC02 HA60WLMB1 		+HA60JCBH1 	

MOUNTS AND ACCESSORIES

COMPATIBLE 35 SERIES CAMERAS

MODEL	HC35W43R3 HC35W45R3 HC35W48R3	HC35W43R2 HC35W45R2 HC35W48R2	HC35WB3R3 HC35WB5R3 HC35WB8R3	HC35WB3R2 HC35WB5R2 HC35WB8R2	HC35WE3R3 HC35WE5R3 HC35WE8R3	HC35WE3R2 HC35WE5R2 HC35WE8R2	HC35WZ2R25 HC35WZ5R30	HC35W25R3
HA60WLMB1	+HA35PMC03 	+HA35PMC02 			+HA35PMC03 	+HA35PMC02 		
HA35PMC02								
HA35PMC03								
HA35CLM01	+HA35PMC03 	+HA35PMC02 			+HA35PMC03 	+HA35PMC02 		
HA35CLM02	+HA35CLM01 +HA35PMC03 	+HA35CLM01 +HA35PMC02 			+HA35CLM01 +HA35PMC03 	+HA35CLM01 +HA35PMC02 		
HA354SC01		+4S box (box and installation not included) 						
HA35ICK		√						
HA35JCBWML								
HA60WLMZI							√	

COMPATIBLE 35 SERIES CAMERAS

MODEL	HC35W43R3 HC35W45R3 HC35W48R3	HC35W43R2 HC35W45R2 HC35W48R2	HC35WB3R3 HC35WB5R3 HC35WB8R3	HC35WB3R2 HC35WB5R2 HC35WB8R2	HC35WE3R3 HC35WE5R3 HC35WE8R3	HC35WE3R2 HC35WE5R2 HC35WE8R2	HC35WZ2R25 HC35WZ5R30	HC35W25R3
HA60PLMZ1 							+HA60WLMZ1	
HA60CNMZ1 							+HA60WLMZ1	
HA60CLM01 							+HA60CLM02	
HA60CLM02 							+HA60CLM01	

MOUNTS AND ACCESSORIES

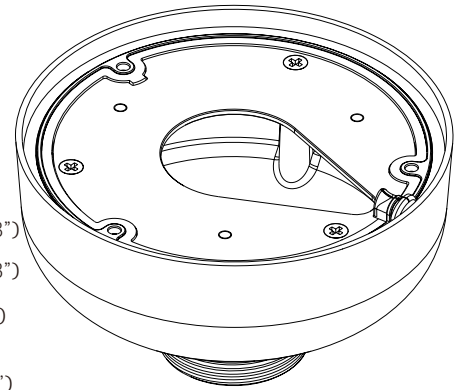
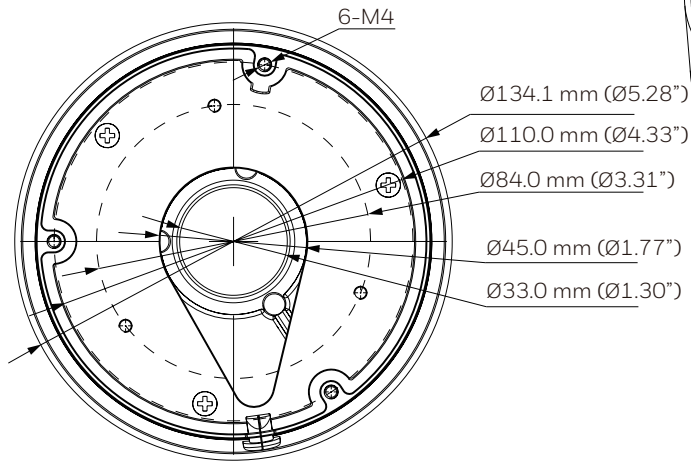
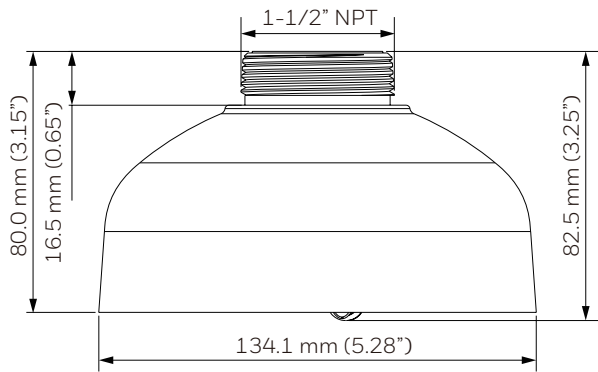
SPECIFICATIONS

MODEL	INDOOR/ OUTDOOR	CONSTRUCTION	COLOR	WEIGHT	DIMENSIONS
HA60JCBH1	Indoor/outdoor	ADC12	RAL 9003 (Signal White)	1.3 kg (2.86 lb)	Ø160.5mm x 53.0 mm (Ø6.31" x 2.09")
HA60CNMZ	Indoor/outdoor	Steel	RAL 9003 (Signal White)	1.8 kg (3.97 lb)	243.2mm x 138.7mm x 170mm (9.57" x 5.46" x 6.69")
HA60WLMB1	Indoor/outdoor	ADC12	RAL 9003 (Signal White)	0.4 kg (0.90 lb)	222.7mm x 118.0 mm x 118.0 mm (8.77" x 4.65" x 4.65")
HA35PMC02	Indoor/outdoor	ADC12	RAL 9003 (Signal White)	0.5 kg (1.10 lb)	Ø134.1 mm x 82.5 mm (Ø5.28" x 3.25")
HA35PMC03	Indoor/outdoor	ADC12	RAL 9003 (Signal White)	0.4 kg (0.90 lb)	Ø118.9 mm x 89.4 mm (Ø4.68" x 3.52")
HA35CLM01	Indoor/outdoor	Aluminum	RAL 9003 (Signal White)	0.3 kg (0.70 lb)	Ø140.0 mm x 52.2 mm (Ø5.51" x 2.06")
HA35CLM02	Indoor/outdoor	Aluminum	RAL 9003 (Signal White)	0.3 kg (0.70 lb)	Ø38.0 mm x 252.0 mm (Ø1.50" x 9.92")
HA354SC01	Indoor/outdoor	Aluminum	RAL 9003 (Signal White)	0.1 kg (0.20 lb)	Ø150.0 mm x 3.0 mm (Ø5.91" x 0.12")
HA35JCBHDV	Indoor/outdoor	ADC12	RAL 9003 (Signal White)	0.2 kg (0.45 lb)	123.7 mm x Ø122.9 mm x 52.0 mm (4.87" x Ø4.84" x 2.05")
HA35JCBHA1	Indoor/outdoor	ADC12	RAL 9003 (Signal White)	0.5 kg(1.06 lb)	143.5 mm x Ø141.8 mm x 51.0 mm (5.65" x Ø5.58" x 2.01")
HA35JCBHA1G	Indoor/outdoor	ADC12	Hon dark gray (C14055B3JP)	0.48 kg (1.06 lb)	143.5 mm x Ø141.8 mm x 51.0 mm (5.65" x Ø5.58" x 2.01")
HA35JCBHDF	Indoor/outdoor	ADC12	RAL 9003 (Signal White)	0.2 kg (0.42 lb)	110.8 mm x Ø109.9 mm x 47.0 mm (4.36" x Ø4.33" x 1.85")
HA35JCBHBA	Indoor/outdoor	ADC12	RAL 9003 (Signal White)	0.4 kg (0.79 lb)	122.3 mm x Ø122.3 mm x 46.0 mm (4.82" x Ø4.82" x 1.81")
HA35ICK	Indoor/outdoor	Steel + Plastic	RAL 9003 (Signal White)	0.51 kg (1.12 lb)	Ø195.0 mm x 72.5 mm (Ø7.67" x 2.85")
HA35JCBWML	Indoor/outdoor	ADC12	RAL 9003 (Signal White)	0.50 kg (1.10 lb)	125.7 mm x 76.4 mm x 160.4 mm (4.95" x 3.01" x 6.31")
HA60WLMZI	Indoor/outdoor	Aluminum	RAL 9003 (Signal White)	0.59 kg (1.30 lb)	109 mm x 164 mm x 209.3 mm (4.29" x 6.46" x 8.24")
HA60PLMZI	Indoor/outdoor	Steel	RAL 9003 (Signal White)	2.68 kg (5.91 lb)	200 mm x 67. 2 mm x 320 mm(7.87" x 2.65" x 12.6")
HA60CNMZI	Indoor/outdoor	Steel	RAL 9003 (Signal White)	1.56 kg (3.44 lb)	247.6 mm x 180 mm x 143.5 mm(9.75" x 7.09" x 5.65")
HA60CLM01	Indoor/outdoor	ADC12	RAL 9003 (Signal White)	0.24 kg (0.53 lb)	Ø121 mm x 38 mm (Ø4.77" x 1.50")
HA60CLM02	Indoor/outdoor	ADC12	RAL 9003 (Signal White)	1.11 kg (2.44 lb)	Ø56 mm x 352 mm (Ø2.20" x 13.86")
HA60PLMZB	Indoor/outdoor	Steel	RAL 9003 (Signal White)	1.0 kg (2.20 lb)	134.5 mm x 48.2 mm x 170 mm (5.30" x 1.90" x 6.69")

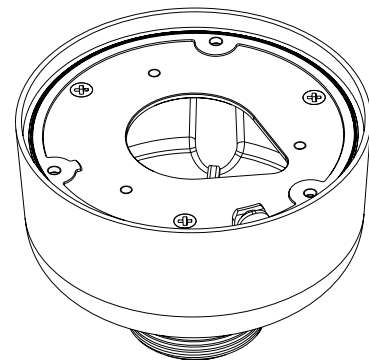
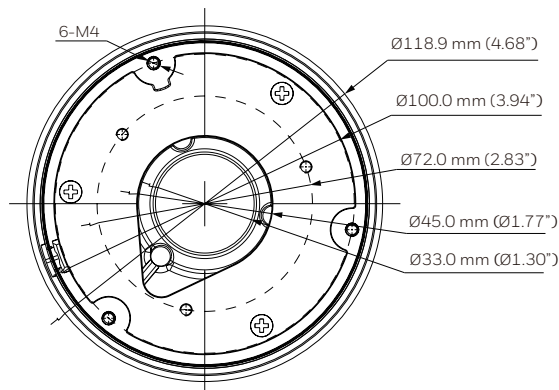
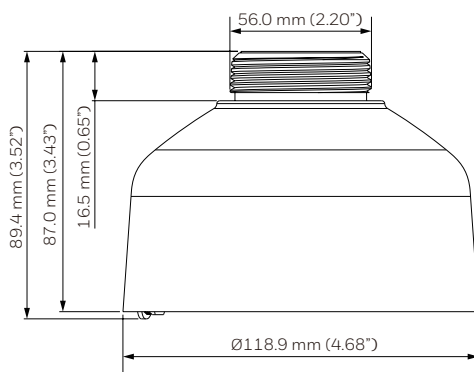
MOUNTS AND ACCESSORIES

DIMENSIONS

HA35PMC02



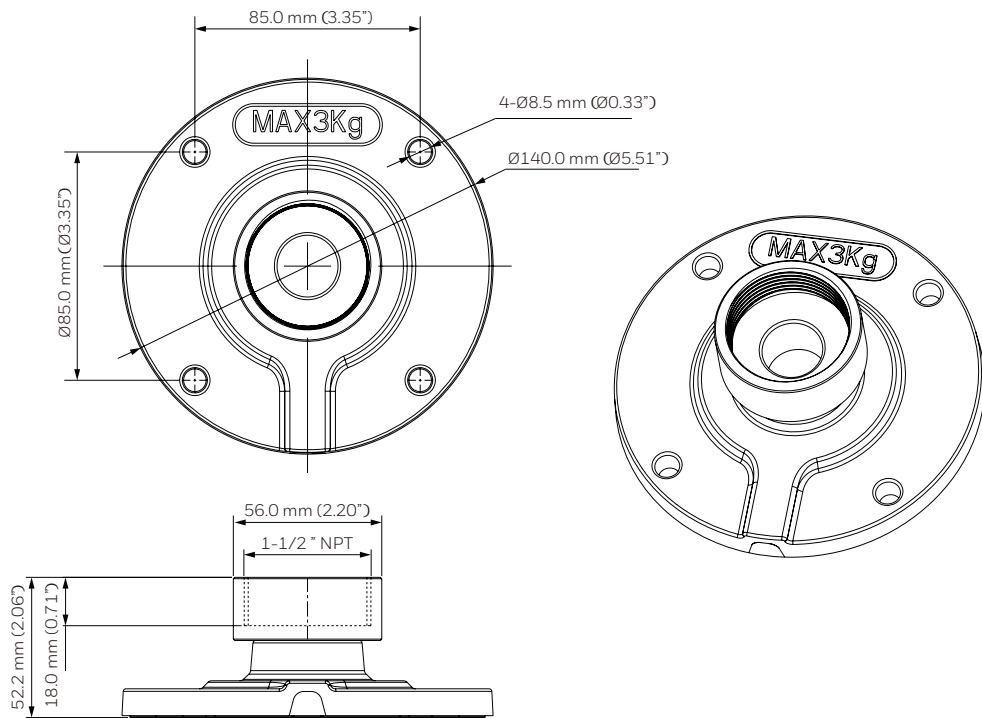
HA35PMC03



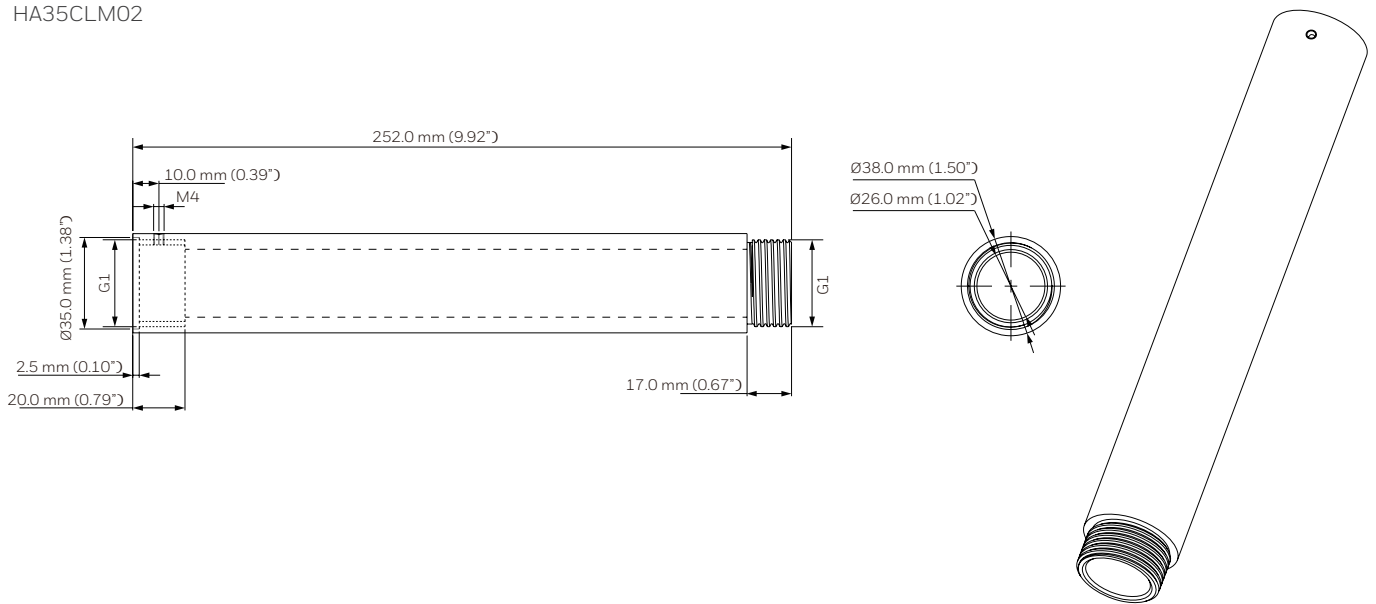
MOUNTS AND ACCESSORIES

DIMENSIONS

HA35CLM01



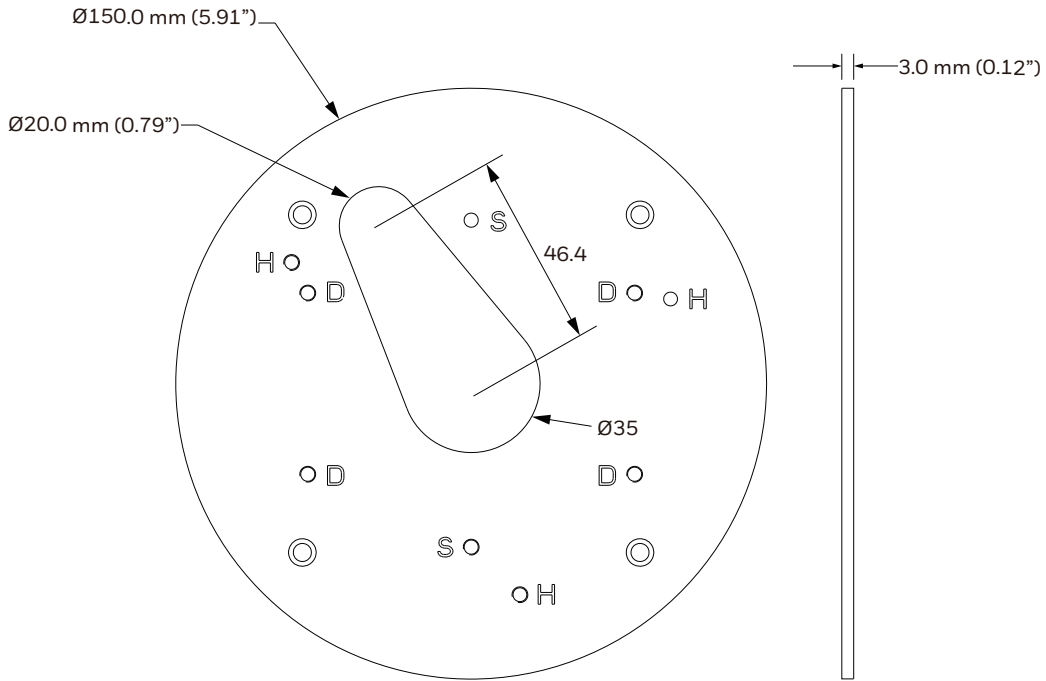
HA35CLM02



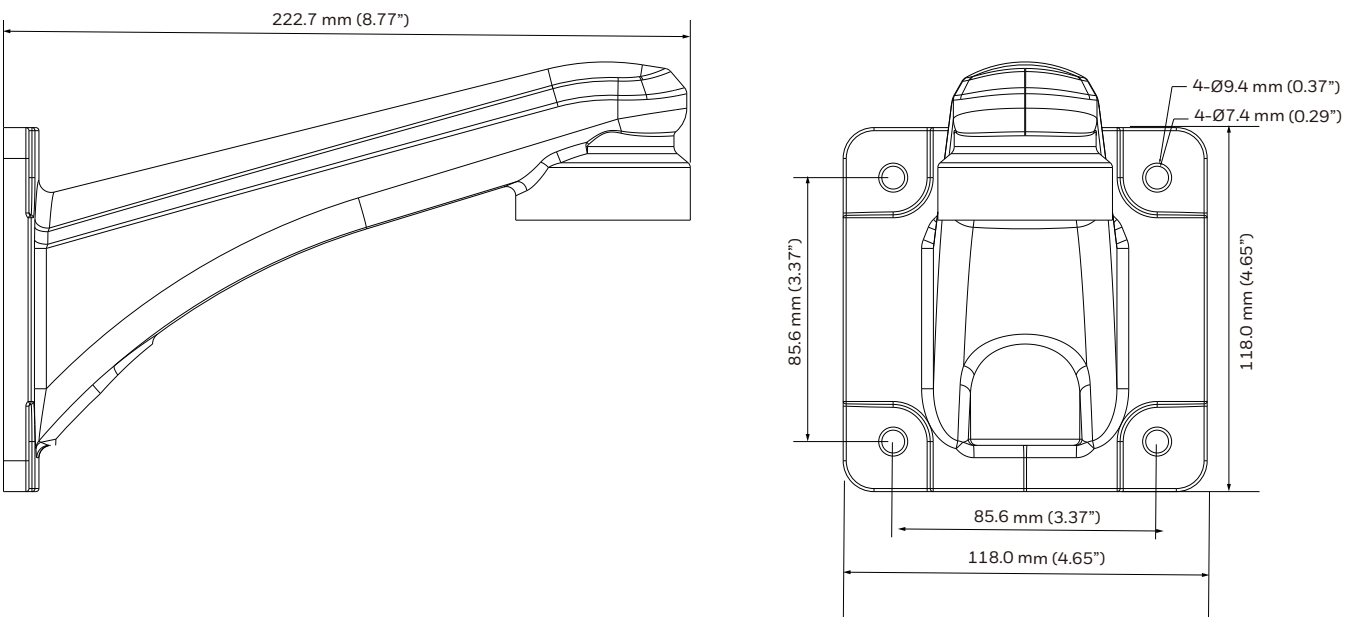
MOUNTS AND ACCESSORIES

DIMENSIONS

HA354SC01



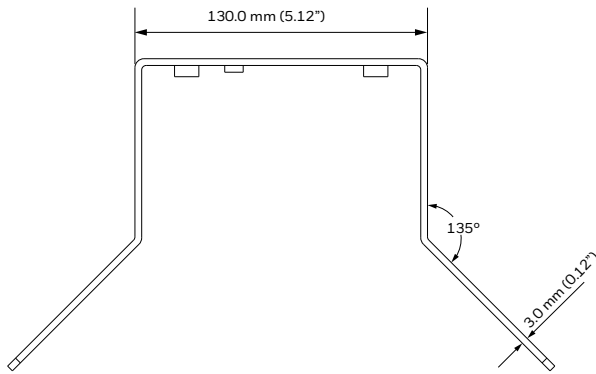
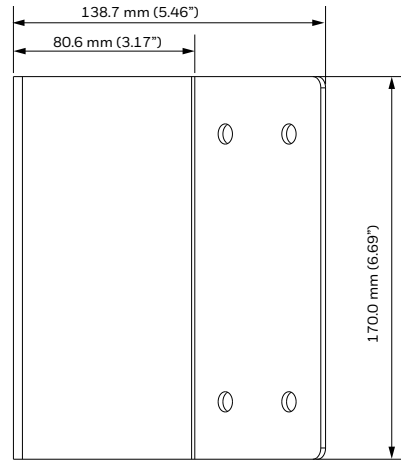
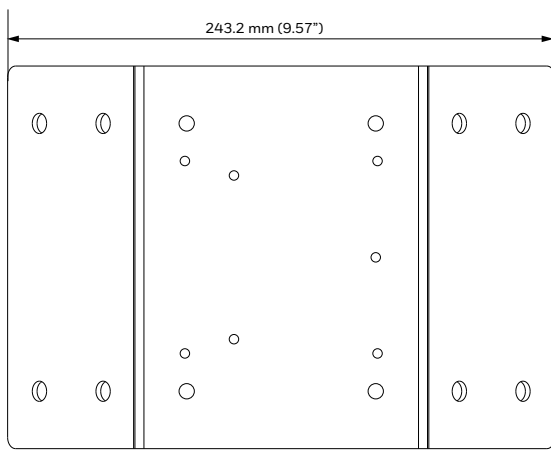
HA60WLMB1



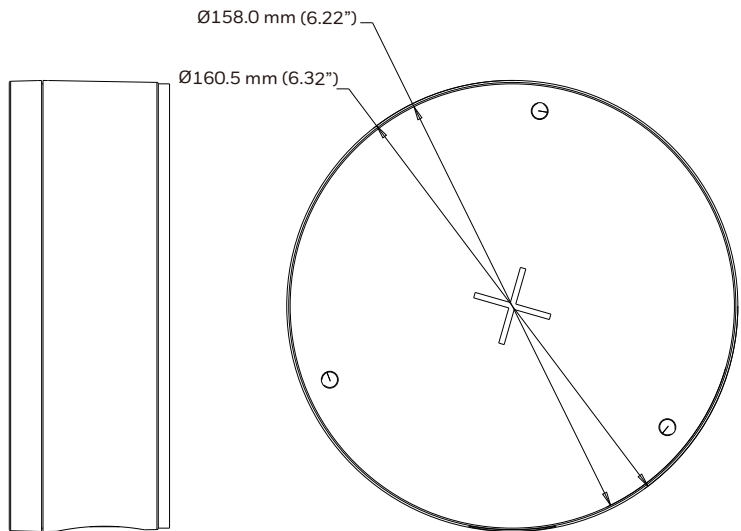
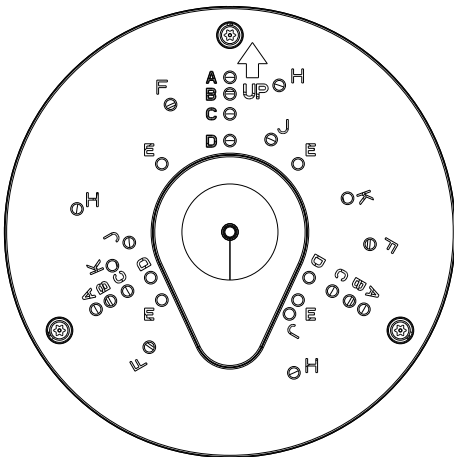
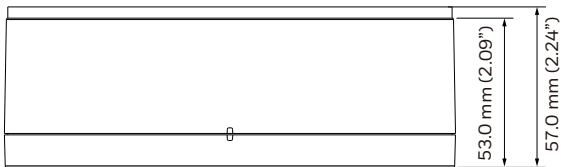
MOUNTS AND ACCESSORIES

DIMENSIONS

HA60CNMZ



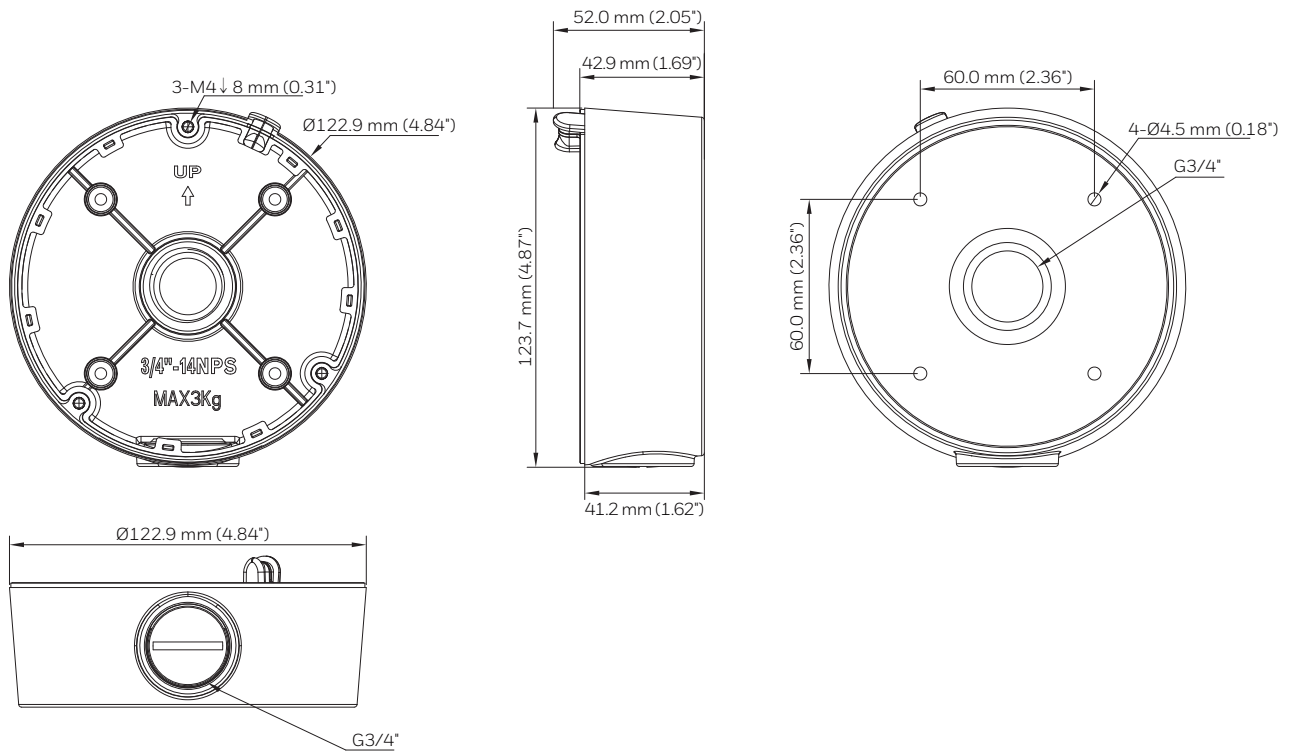
HA60JCBH1



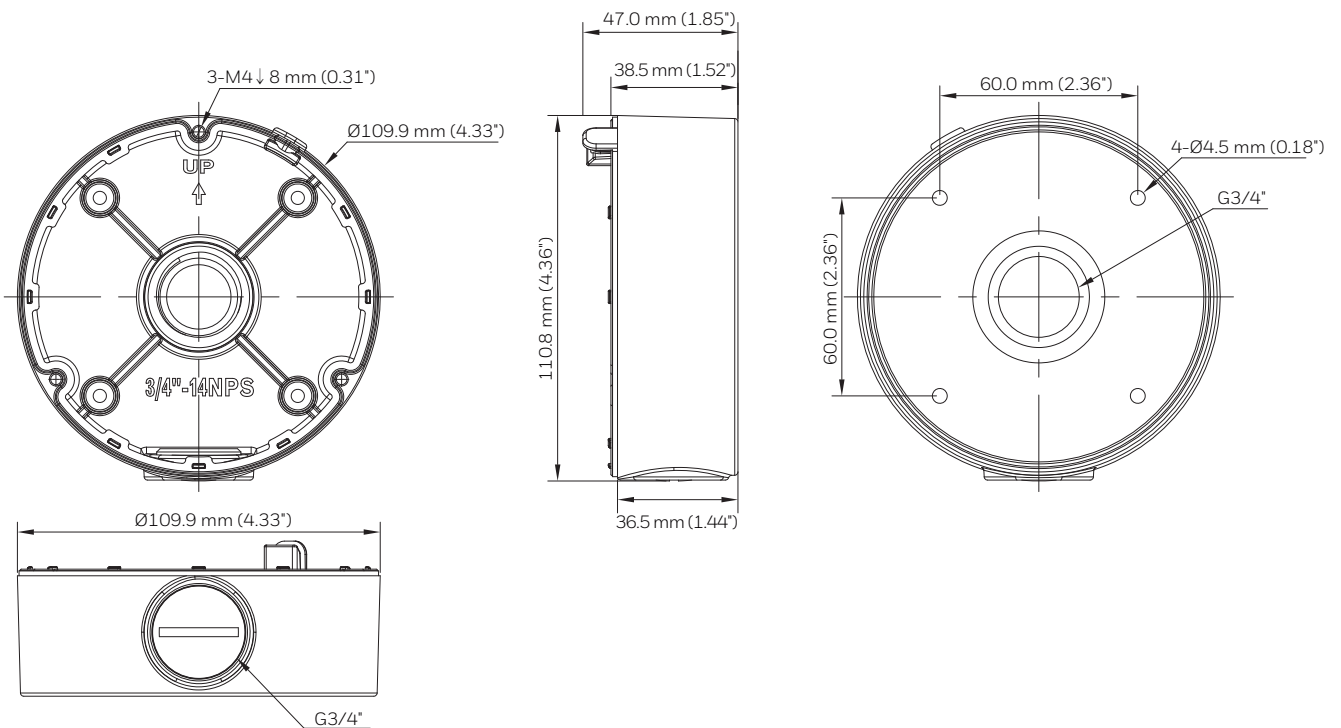
MOUNTS AND ACCESSORIES

DIMENSIONS

HA35JCBHDV



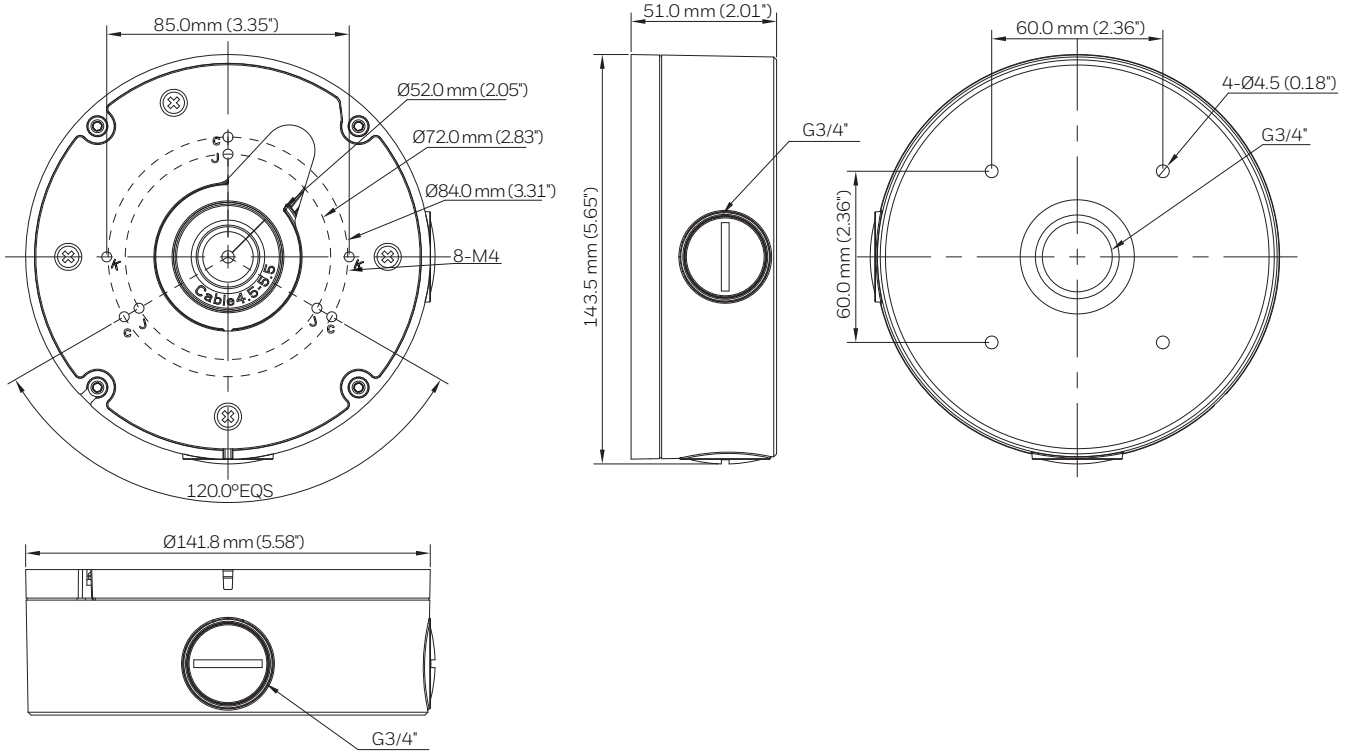
HA35JCBHDF



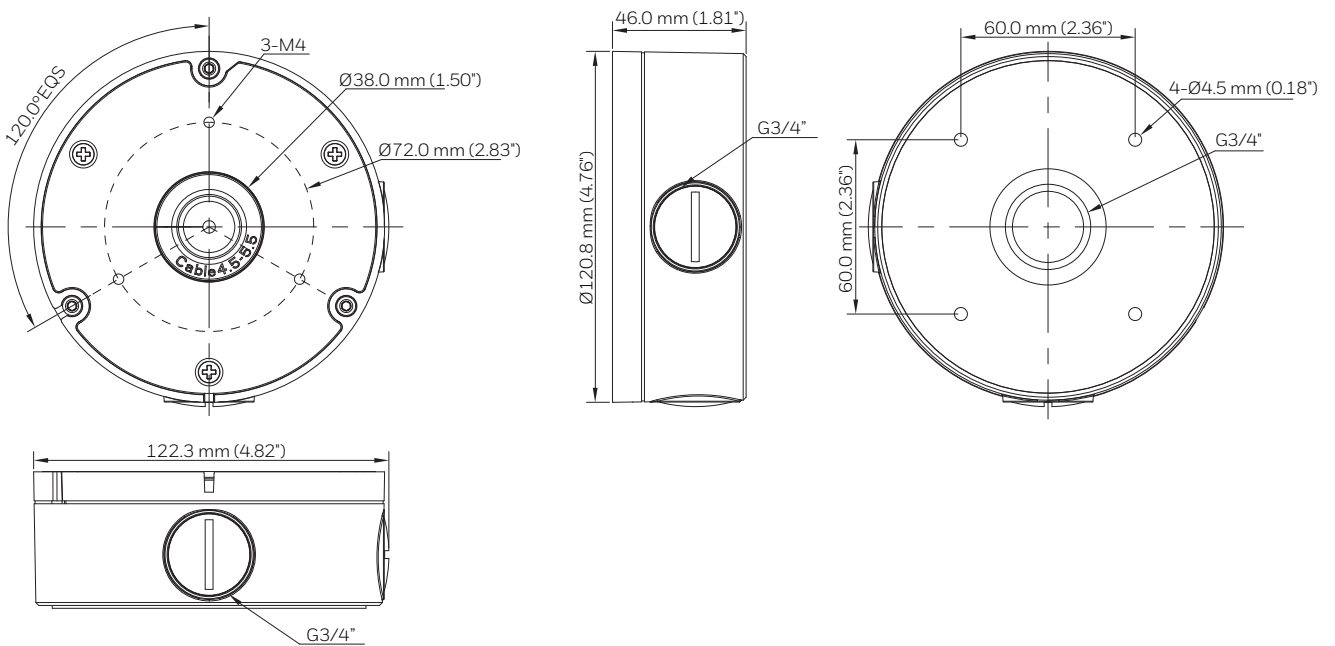
MOUNTS AND ACCESSORIES

DIMENSIONS

HA35JCBHA1/HA35JCBHA1G



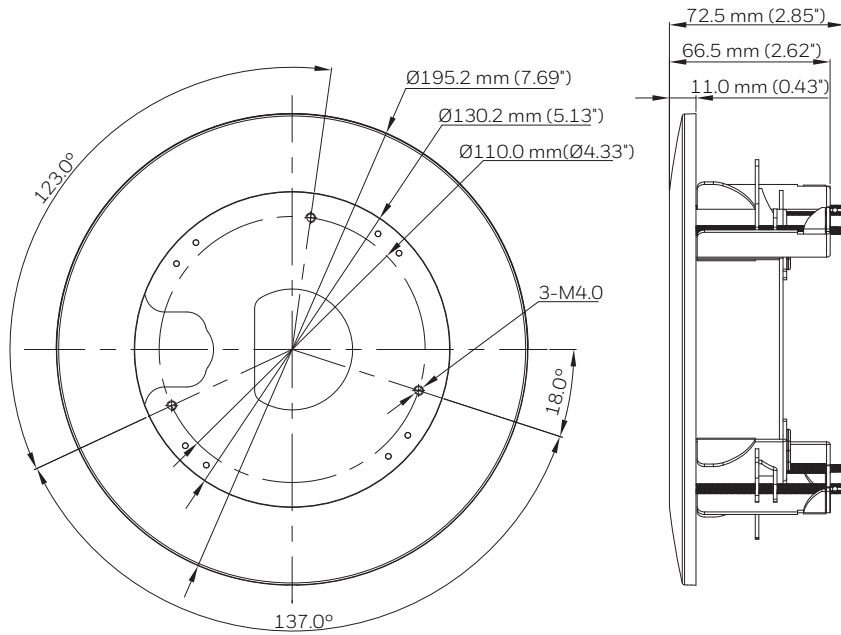
HA35JCBHBA



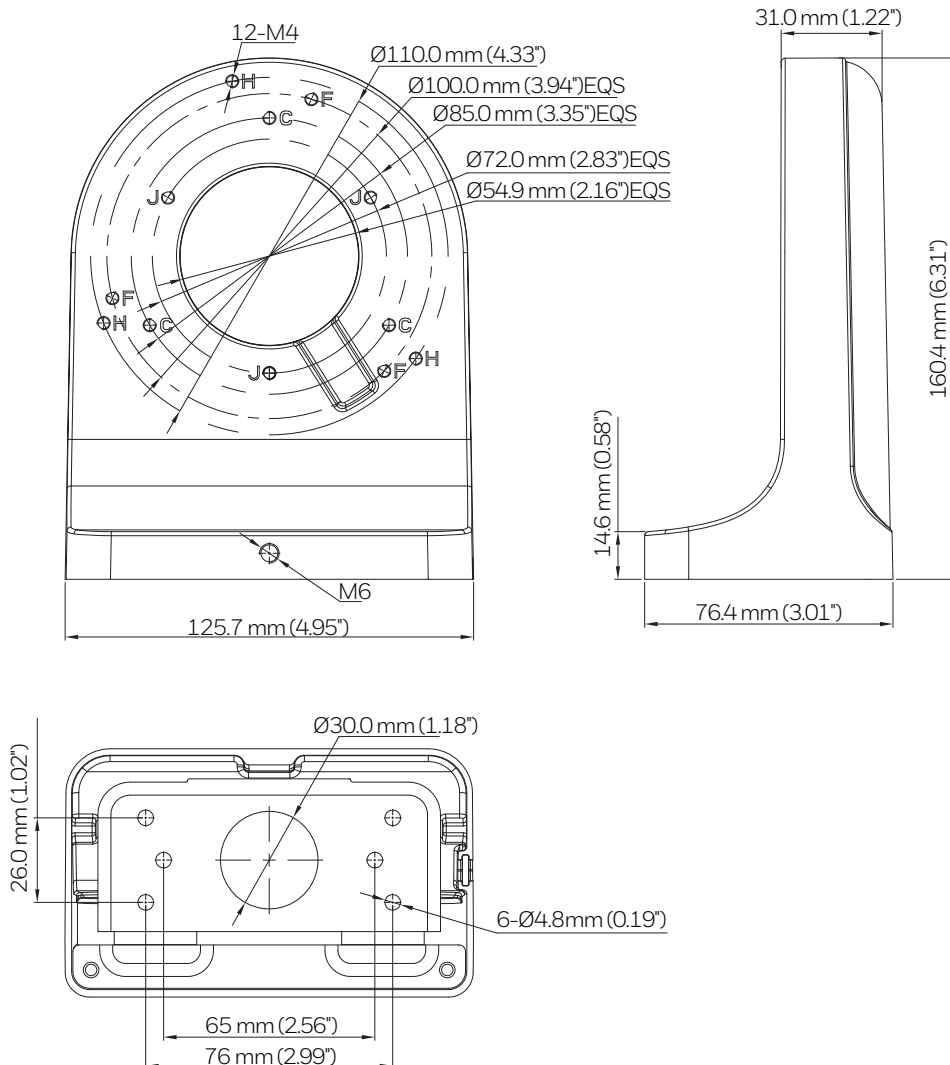
MOUNTS AND ACCESSORIES

ORDERING

HA35ICK



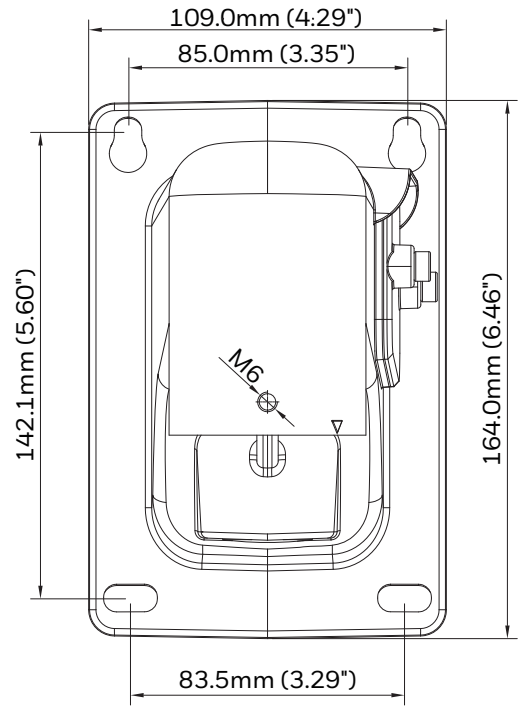
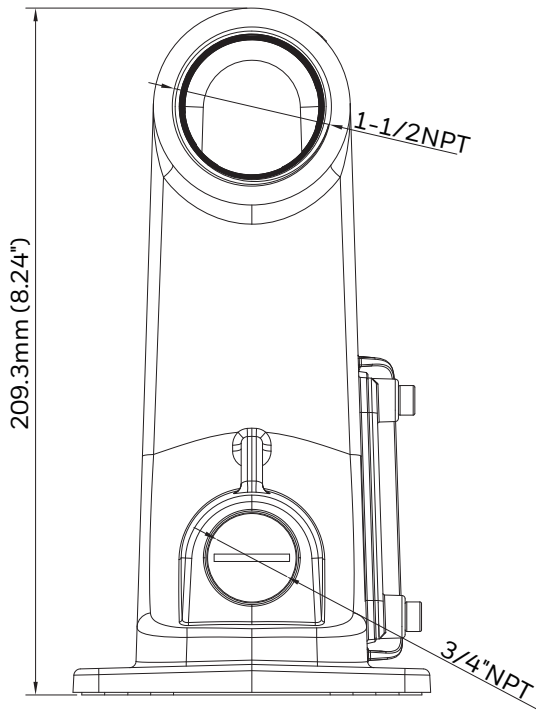
HA35JCBWML



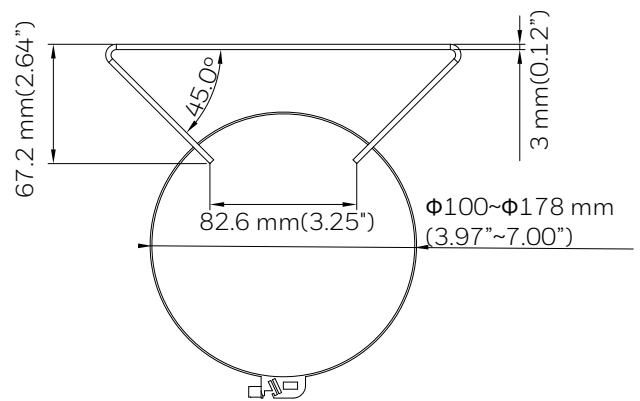
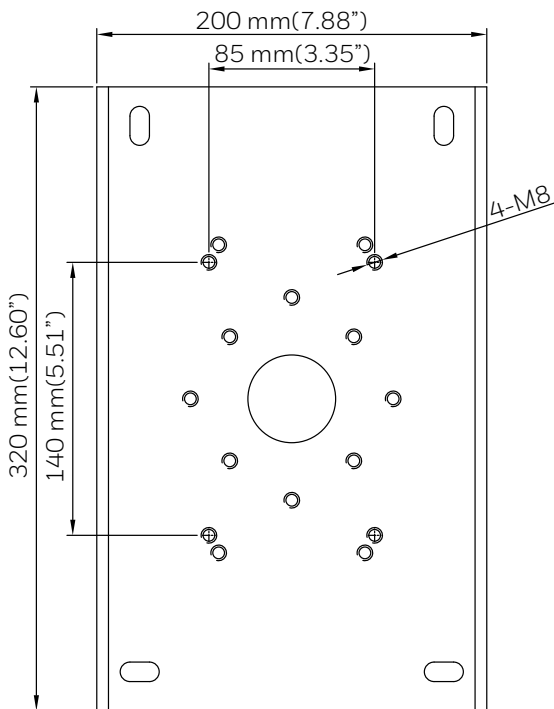
MOUNTS AND ACCESSORIES

DIMENSIONS

HC60WLMZI



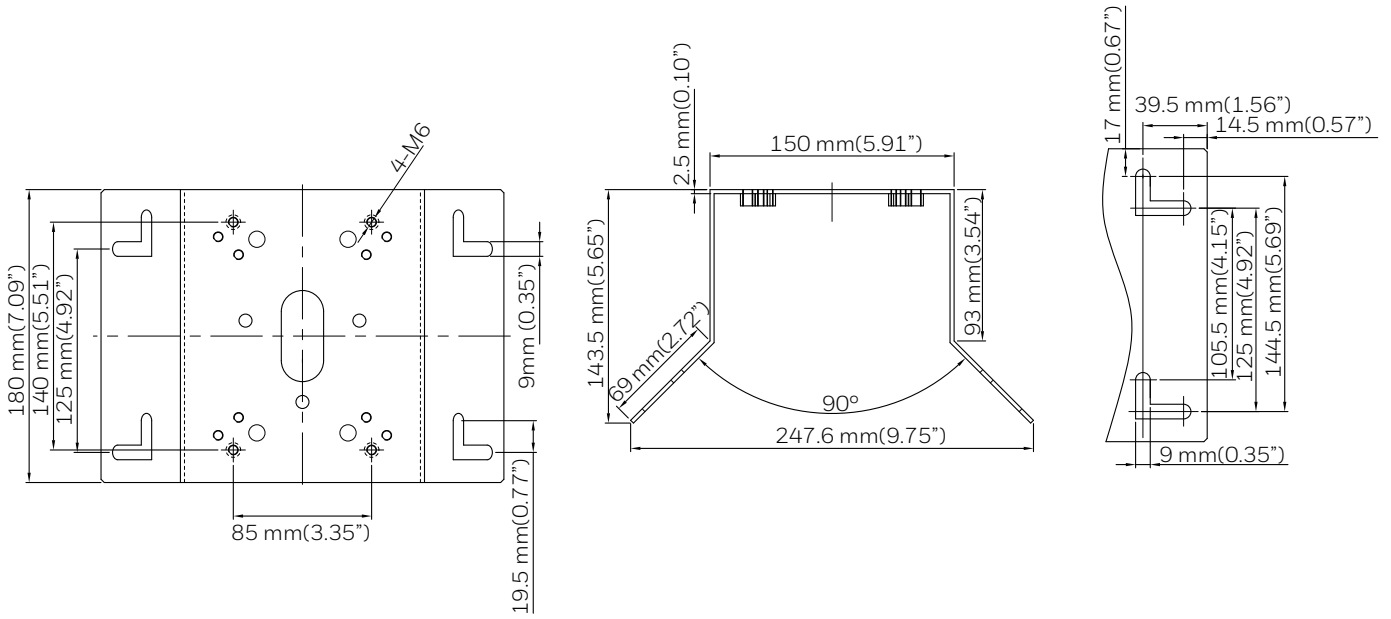
HA60PLMZI



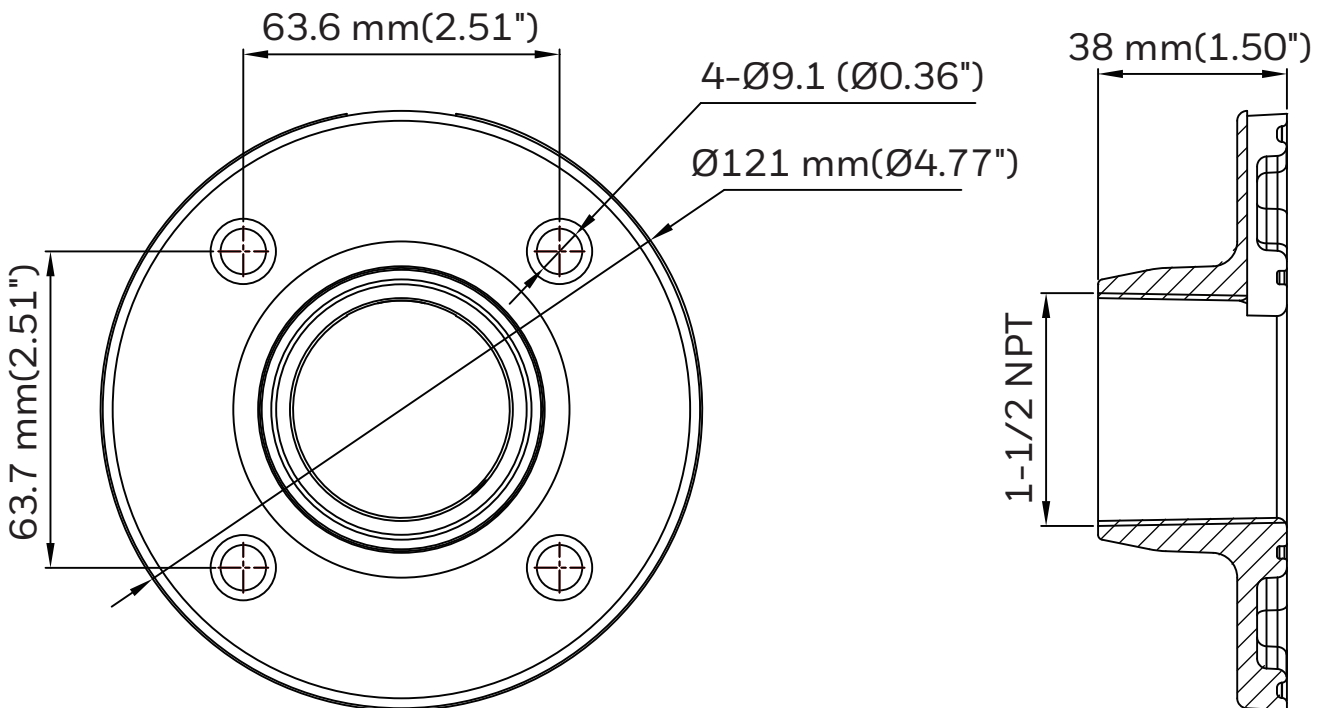
MOUNTS AND ACCESSORIES

DIMENSIONS

HA60CNMZI



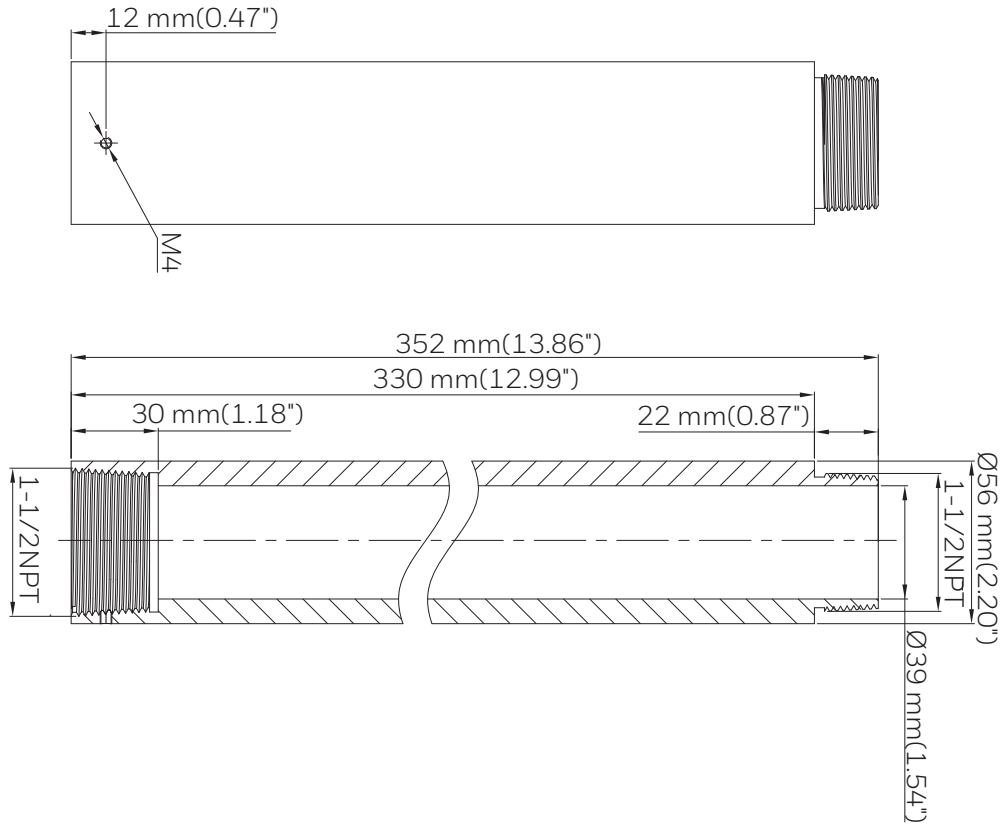
HA60CLM01



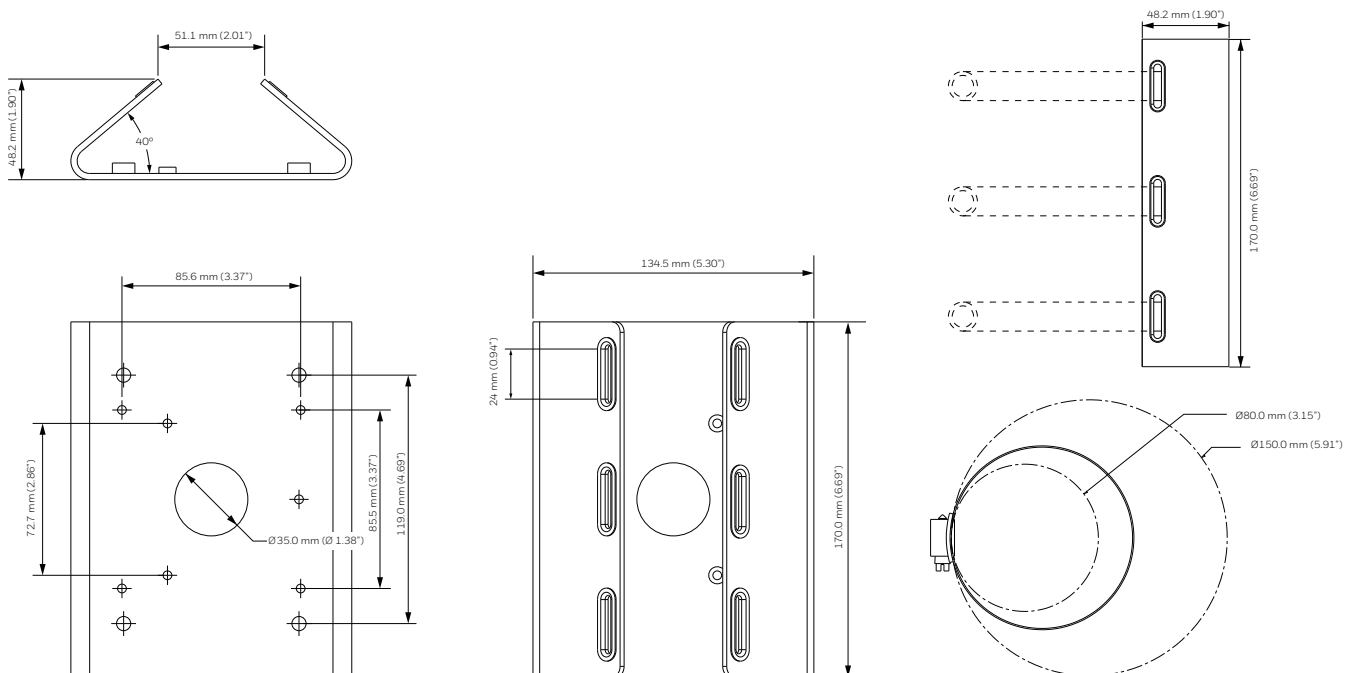
MOUNTS AND ACCESSORIES

DIMENSIONS

HA60CLM02



HA60PLMZB



MOUNTS AND ACCESSORIES

MODEL	DESCRIPTION	MODEL	DESCRIPTION
HA60JCBH1	60S dome junction box	HA35PMC02	35S MFZ camera cap, 1.5NPT male
HA60CNMZ	60S PTZ corner mount bracket, white	HA35PMC03	35S fixed camera cap, 1.5NPT male
HA60WLMB1	60S wall mount bracket, 1.5NPT female	HA35CLM02	35S ceiling mount extension, 252mm
HA35JCBHDV	35S MFZ dome junction box	HA354SC01	35S 4S box cover
HA35JCBHA1	35S all-in-one box	HA35JCBHDF	35S fixed dome junction box
HA35ICK	35S dome in-ceiling mount bracket	HA35JCBHBA	35S bullet junction box
HA35JCBWML	35S wall mount bracket	HA35JCBHA1G	35S all-in-one box
HA60CNMZI	60S corner mount bracket	HA60WLMZI	60S wall mount bracket
HA60CLM02	60S pendent extension pipe	HA60PLMZI	60S pole mount bracket
HA60CLM01	60S pendent mount base	HA35CLM01	35S ceiling mount base with adapter
HA60PLMZB	PTZ pole mount bracket, white		

For more information

www.security.honeywell.com/uk
www.security.honeywell.com/me
buildings.honeywell.com

Honeywell Commercial Security

Emaar Business Park, Sheikh Zayed Road
 Building No. 2, 2nd floor, 201
 Post Office Box 232362
 Dubai, United Arab Emirates
 Tel: +971 4 450 5800

Building 5 Carlton Park
 King Edward Avenue
 Narborough, Leicester LE19 0AL
 United Kingdom
 Tel: +44 (0) 1163 500714
www.honeywell.com

Honeywell reserves the right, without notification, to make changes in product design or specifications.

HSV-35_MNTS_ACC-02-UK(1023)DS-Y
 © 2023 Honeywell International Inc.

Honeywell